

vogue™ Traditional Series Finial Cap

Installation Instructions

1

These instructions assume that you have already properly installed the vital™ Cluster Box Unit (CBU 1570 series). If the CBU has not yet been installed, please refer to the instructions that came with the vital™ CBU, noting the clearance specification.

2

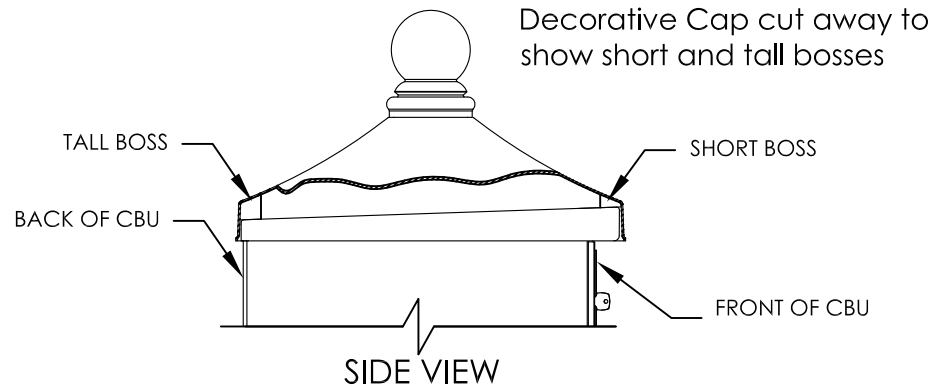
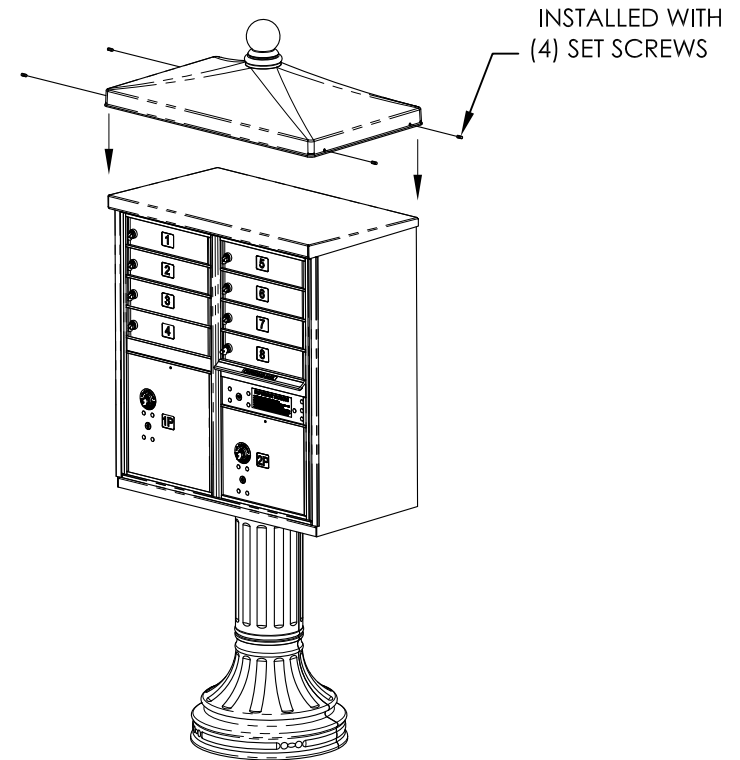
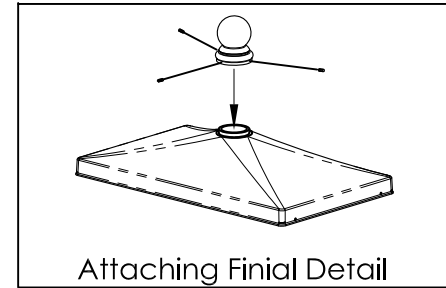
Attach the Finial to the top of the Decorative Cap by using the three 1/4-20 X 1/4" set screws. Do not over tighten.

3


Secure the Decorative Cap unit to the CBU using the four 1/4-20 X 1/2" set screws.


4

Make sure the short boss on the underside of the Cap is to the front. The roof should sit level with the ground after assembly. Do not over tighten and make sure all screws are tightened evenly.

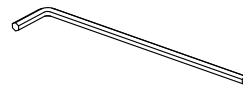


HARDWARE

 1/4-20 X 1/2" SET SCREW (4)

 1/4-20 X 1/4" SET SCREW (3)

TOOLS



ALLEN WRENCH (1)

PRODUCT SERIES:

VOGUE™ TRADITIONAL SERIES - FINIAL CAP
INSTALLATION INSTRUCTIONS

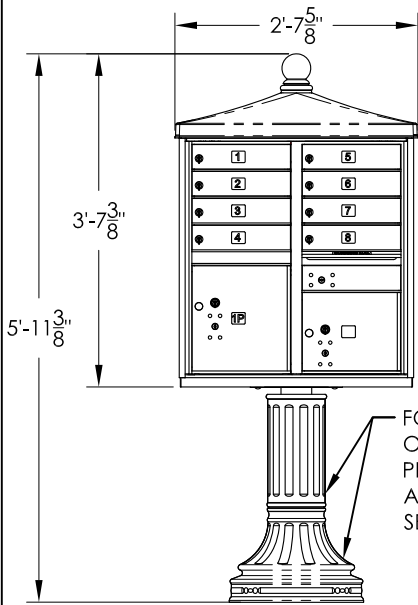
AF FLORENCE
manufacturing company

5935 Corporate Drive • Manhattan, KS 66503
www.florencemailboxes.com • (800) 275-1747

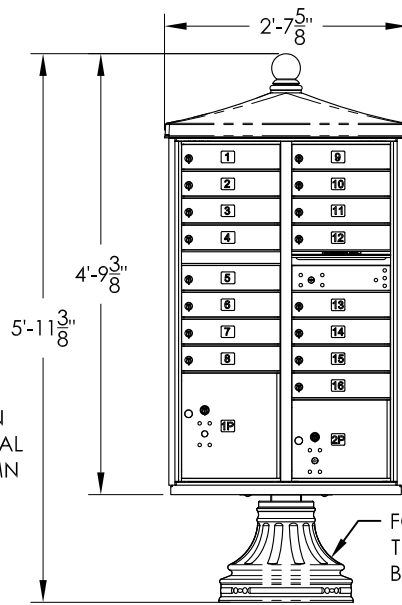
A GIBRALTAR INDUSTRIES COMPANY 

MODEL	FINIAL CAP	REV	A
SCALE	NONE	LAST REV DATE	8/2/2013
DRAWING NUMBER	91552	DRAWN BY	AFD

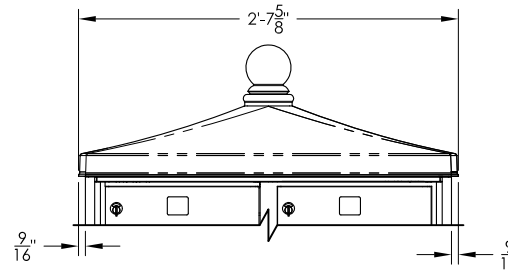
vogue™ Traditional Series Finial Cap Cutsheet



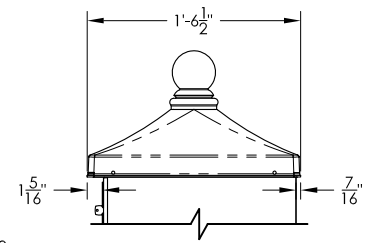
FOR ILLUSTRATION ONLY, TRADITIONAL PEDESTAL COLUMN AND BASE SOLD SEPARATELY



FOR ILLUSTRATION ONLY, TRADITIONAL PEDESTAL BASE SOLD SEPARATELY

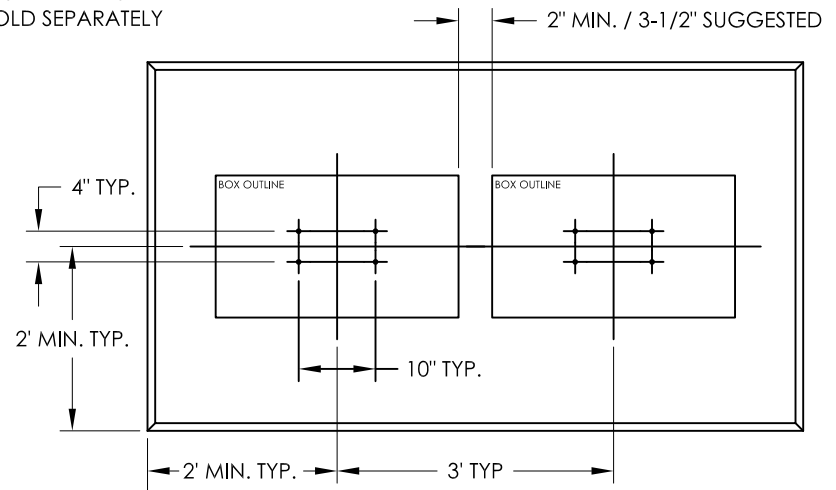


FRONT VIEW

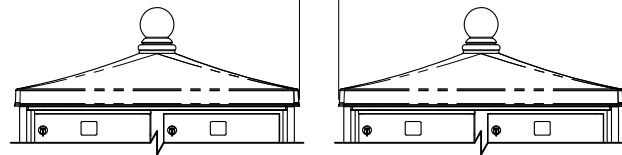


SIDE VIEW

MULTI-UNITS PAD SPECIFICATION



2" MIN. / 3-1/2" SUGGESTED



IMPORTANT CLEARANCE SPEC
SEE **MULTI UNIT PAD SPECIFICATION**
FOR BOLT PATTERN AND SPACING

NOTES:

1. TRADITIONAL FINIAL CAP DESIGN REQUIRES ADDITIONAL SPACE BETWEEN CBUs. FOR MULTIPLE CBU INSTALLATIONS SEE IMPORTANT CLEARANCE SPEC ABOVE.
2. TRADITIONAL FINIAL CAP AND TRADITIONAL PEDESTAL COLUMN AND BASE SOLD SEPARATELY.
3. TRADITIONAL FINIAL CAP AVAILABLE IN ALL STANDARD CBU POWDER COAT FINISHES.
4. TRADITIONAL FINIAL CAP INSTALLED USING PROVIDED SET SCREWS.
5. TRADITIONAL FINIAL CAP DESIGNED TO FIT OVER FLORENCE 1570 SERIES CBU.

PRODUCT SERIES: VOGUE™ TRADITIONAL SERIES - FINIAL CAP
INSTALLATION INSTRUCTIONS

AF FLORENCE
manufacturing company

5935 Corporate Drive • Manhattan, KS 66503
www.florencemailboxes.com • (800) 275-1747

A GIBRALTAR INDUSTRIES COMPANY

MODEL	FINIAL CAP	REV	A
SCALE	NONE	LAST REV DATE	8/2/2013
DRAWING NUMBER	91552	DRAWN BY	AFD